

General Specification & Application Data

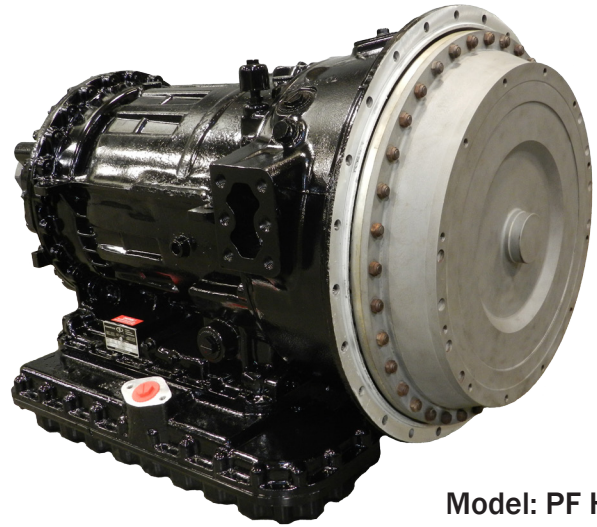
POWERFORCE® - A Premium Brand for Power and Drive Remanufactured Transmissions:

POWERFORCE® is the premium brand offered by Central Power Systems & Services. With the expertise to produce, in volume, a quality, durable, reliable, and price competitive remanufactured Allison transmission.

All POWERFORCE® transmissions are completely remanufactured.....
.....NOT rebuilt!

By using proprietary factory specifications, lean manufacturing procedures, genuine OEM parts, state-of-the-art test equipment, and proper final calibrations, POWERFORCE® transmissions guarantee the highest quality and best value for our customers.

As an Allison Distributor since 1953, it's our #1 goal to ensure quality first. All POWERFORCE® Allison transmissions are remanufactured back to the original factory specifications. With up-to-date training and factory certified overhaul specialists, it's our pleasure to offer you POWERFORCE® the most dependable remanufactured product available.



Model: PF HT 740

Model shown is a remanufactured POWERFORCE® HT 740RS

| Power Ratings | Unit | Diesel | Gasoline |
|----------------------------|-------|-------------|----------|
| Max Net Input Power Range | HP | 445 - 500 | N.A. |
| Max Net Input Torque Range | lb ft | 1380 - 1575 | N.A. |

General Rating:

Application ratings vary significantly from general ratings. Contact Central Power Systems & Services for specific vocational ratings.

| Transmission Model and Applications | |
|-------------------------------------|--|
| Original Manufacturer | Allison |
| Allison Series | 700 |
| Allison Model Number | HT 740 |
| Remanufacturer | POWERFORCE® |
| POWERFORCE® Model Number | PF HT 740 |
| Applications | Dump Truck, Refuse Hauler |
| | Lowboy Truck, Hook & Ladder Truck |
| | Transit Mixer, Fire Truck |
| | Rear Loader (Refuse) |
| | Agricultural |
| | Construction Equipment Hauler |
| | Wrecker (Tandem Axle) |
| | Logging Truck |
| | Public Utility (All Wheel Drive Tandem Axle) |
| | Other Applications Available |
| Transmission Specifications | |
| Full Load Governed Speed Diesel | 1900-2400 rpm |
| Engine Mounting | SAE#1 Flywheel Housing Additional Adaptation Required |
| | Remote mounting option available |
| Oil Pan Options | 4.5 Inch, 6.0 Inch, 7.0 Inch, 8.5 Inch |
| Fluid Type | TES™ 295 or TES™ 439 Approved Fluid |

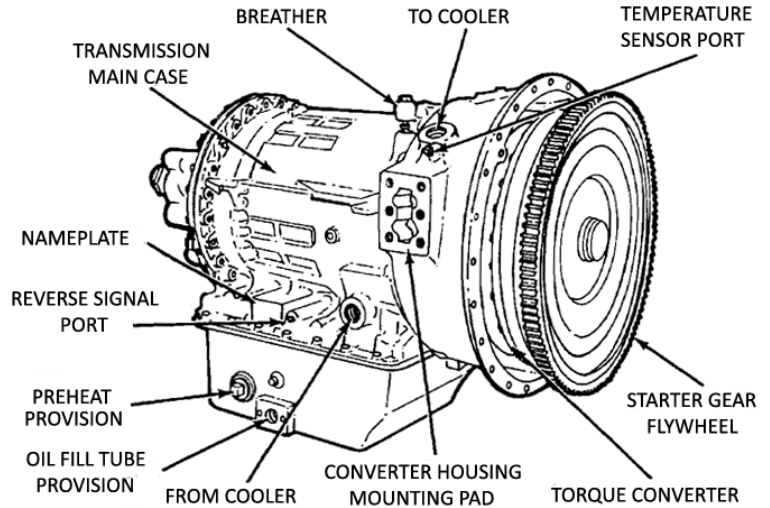
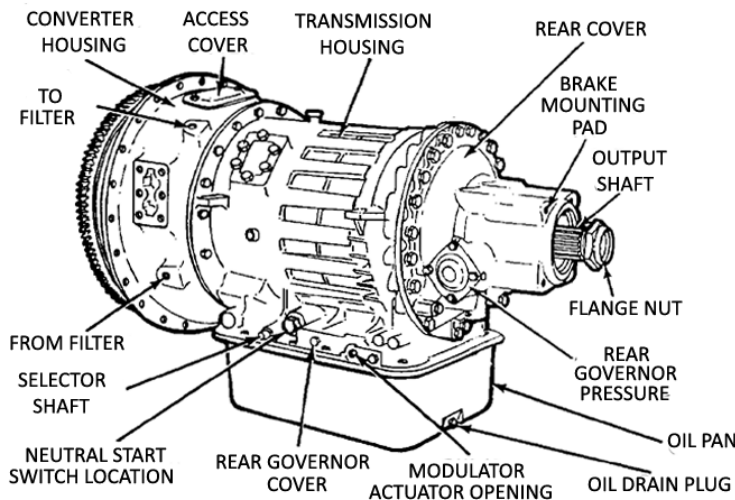
| Torque Converter Options | | |
|--|---|------------|
| Ratios | TC 470 (2.83:1), TC 487 (1.50:1), TC 488 (1.70:1), TC 495 (2.39:1), TC 496 (1.78:1), TC 497 (2.72:1), TC 498 (2.45:1), TC 499 (1.91:1), TC 777 (2.63:1) | |
| Gear Ratios | | |
| (Gear ratio does not include torque converter ratio) | 1st Range | 3.69:1 |
| | 2nd Range | 2.02:1 |
| | 3rd Range | 1.38:1 |
| | 4th Range | 1.00:1 |
| | Rev. Range | -6.03:1 |
| Power Take-Off Gear Ratings * | | |
| | Intermittent | Continuous |
| Turbine Driven Operation | 400 lb ft | 300 lb ft |
| Engine Driven Operation | 260 lb ft | 200 lb ft |
| * Rating for each of Two Drive Provisions. Both may be used concurrently for a combined total of 400 HP continuous | | |
| Shift Sequence | | |
| | (D) 1C-1L-2C-2L-3C-3L-4C-4L | |
| | (3) 1C-1L-2C-2L-3C-3L | |
| | (2) 1C-1L-2C-2L | |
| | (1) 1C-1L | |
| Second Gear Start Option | Option Available | |
| C= Drive through the torque converter; L= Drive with Lockup engaged | | |

Operators of the transmissions remanufactured by the POWERFORCE® team are assured a quality unit that considerably enhances the life of the equipment. The following below summarizes why it's wise to select POWERFORCE®. A Premium Brand For Power and Service:

- Remanufactured....not rebuilt or repaired
- Remanufactured back to the original factory OEM specifications
- A certified Allison transmission remanufacturing distributor
- All transmissions are dyno'd, pressure and leak checked, and load tested
- A custom built remanufacturing facility
- Large inventory for premium remanufactured swing transmissions
- 60 years of transmission experience as an Allison distributor
- Factory certified transmission specialists
- Established track record in performance and reliability
- Backed-up by the POWERFORCE® warranty

Model: PF HT 740 Transmission

Transmission Configuration Details



| Fluid Specifications | | | | Transmission Dimensions * (All dimensions are in inches) | | | | | | |
|--|------|------------|------|--|-----------|------------|--|----------|---------------|--------------|
| Initial Fill US Quarts Per Pan Size ** | | Fluid Type | | L = Length | W = Width | H = Height | Model Dry Weights lbs (Note weights with PTO & Retarder Options) | | | |
| 4.5" | 6.0" | 7.0" | 8.5" | 37.4 | 21.7 | 26.6 | Base Model | With PTO | With Retarder | Retarder/PTO |
| 34 | 30 | 30 | 42.8 | | | | TES™ 439 Approved Fluid | 830 | 955 | 1020 |

* All measurements are approximate and for estimation purposes only.

** The amount of transmission fluid shown in the following chart does not include the amount required to fill external circuits

POWERFORCE® Transmissions comply with applicable codes and standards

All data subject to change without notice. The information in this white-page specification is believed to be accurate but all recommendations are made without warranty, since the conditions of use are beyond Central Power Systems & Services control. Central Power Systems & Services disclaims any liability in connection with the use of this information, and does not warrant against infringement by reason of the use of any of its products in combination with other material or in any process. Central Power Systems & Services warrants only that the product complies with specifications agreed to in contracts of sale. Central Power Systems & Services reserves the right to change any of the technical information and data detailed in this paper.

CENTRAL
POWER SYSTEMS & SERVICES



www.powerforce.com

POWERFORCE® - A Premium Brand For Power and Drive

© 2013 POWERFORCE® a registered brand of Central Power Systems & Services. All rights reserved. Specifications are subject to change without notice.